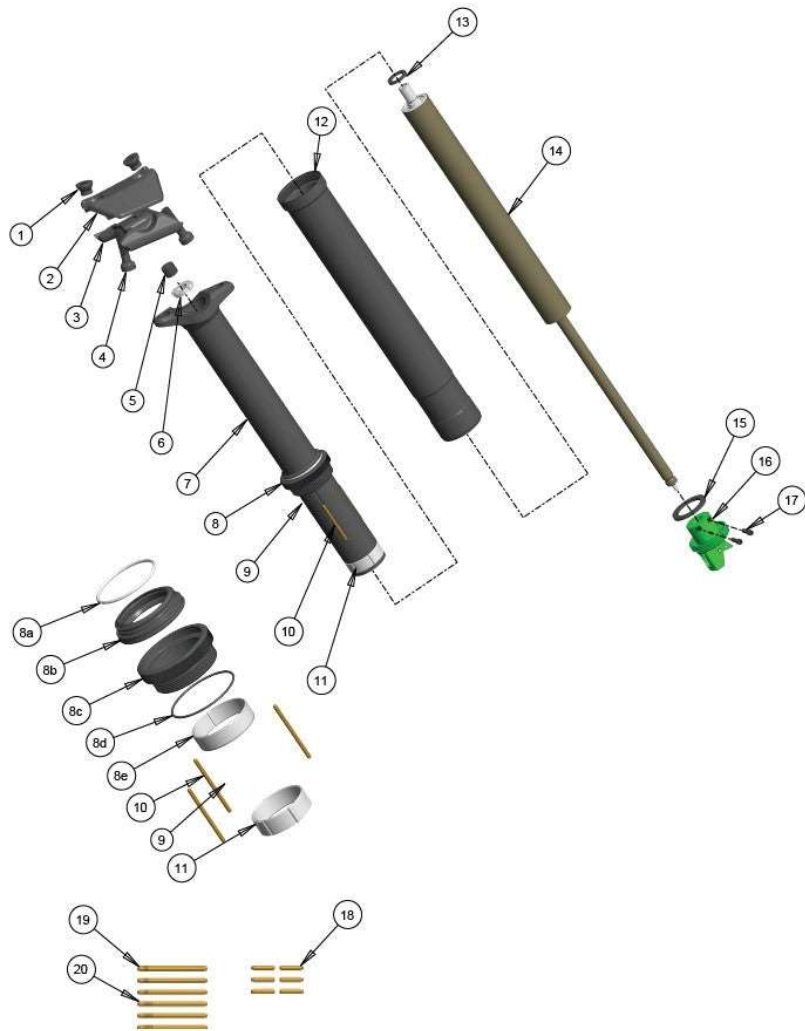


# V2 DROPPER POST EXPLODED VIEW & PARTS LIST



<b>AVAILABLE SERVICE KITS</b>	<b>INDEX NUMBERS</b>
<a href="#"><u>SEAT CLAMP KIT: SP1C0043</u></a>	1,2,3,4,5
<a href="#"><u>TRAVEL SHIMS KIT: SP1C0051</u></a>	8d,18
<a href="#"><u>REBUILD KIT: SP1C0053</u></a>	8,8a-e,9,10,11
<a href="#"><u>V2.1 ACTUATOR KIT: SP1C0060</u></a>	15,16,17
<a href="#"><u>OVERSIZED PIN KIT: SP10061</u></a>	19,20
<b>CARTRIDGES</b>	
<a href="#"><u>120MM: SP1C0047</u></a>	6,13,14
<a href="#"><u>150MM: SP1C0048</u></a>	6,13,14
<a href="#"><u>180MM: SP1C0049</u></a>	6,13,14
<a href="#"><u>210MM: SP1C0050</u></a>	6,13,14

<b>INDEX</b>	<b>QTY</b>	<b>DESCRIPTION</b>	<b>SERVICE PART KIT</b>
1	2	CLAMP NUT	SP1C0043
2	1	UPPER CLAMP	SP1C0043

3	1	LOWER CLAMP	SP1C0043
4	2	CLAMP BOLT	SP1C0043
5	1	SEALING VALVE CAP	SP1C0043
6	1	CARTRIDGE LOCKRING	SAME AS CARTRIDGE
7	1	UPPER TUBE	N/A
8	1	MID CAP ASSEMBLY	SP1C0053
8a	1	SEAL SPRING	SP1C0053
8b	1	SEAL	SP1C0053
8c	1	MID CAP	SP1C0053
8d	1	MID CAP ORING	SP1C0053 OR SP1C0051

8e	1	DU BUSHING	SP1C0053
9	1	UPPER BUSHING	SP1C0053
10	3	GUIDE PINS	SP1C0053
11	1	LOWER BUSHING	SP1C0053
12	1	LOWER TUBE	N/A
13	1	CARTRIDGE WASHER	SAME AS CARTRIDGE
14	1	CARTRIDGE	SP1C0047 - 120MM SP1C0048 - 150MM SP1C0049 - 180MM SP1C0050 - 210MM
15	1	BUMPER	SP1C0060

16	1	ACTUATOR	SP1C0060
17	2	LOCK BOLT	SP1C0060
18	6	TRAVEL SHIM PIN 10MM	SP1C0051
19	3	OVERSIZED PIN 2.02	SP1C0061
20	3	OVERSIZED PIN 2.04	SP1C0061